



Surge Protector

User Manual

Model : SP001VP

HD-TVI/AHD/HDCVI/CVBS & Power Surge Protector



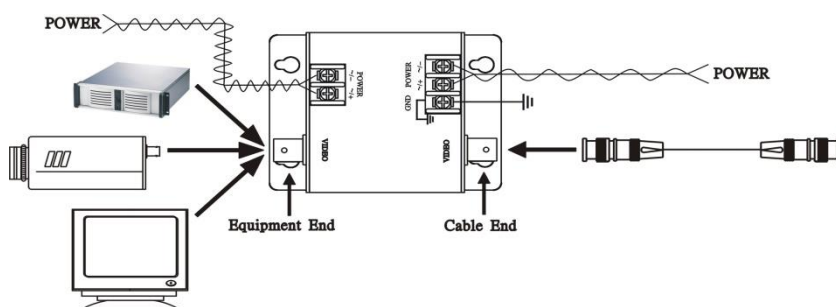
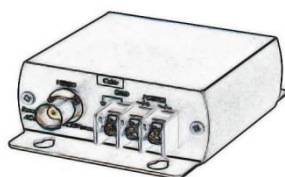
Introduction

SP001VP is a surge protector designed to provide protection for not only CVBS signal but power from high voltage surges, supporting up to DC 40 to 56V for power input..

Features

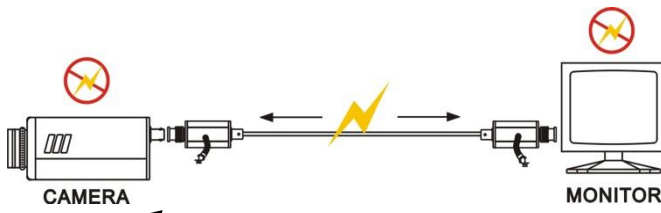
- Resolution up to 4K.
- Supports power input up to AC40V/ DC56V.
- Response time less than 1 ns.

Installation View



		RJ - 45 Jack	
PIN	Color	Function	
1	W-O	S2	
2	O	S1	
3	W-G	Audio +	
4	BL	A1	
5	W-BL	A2	
6	G	Audio -	
7	W-BR	Video +	
8	BR	Video -	

1 2 3 4 5 6 7 8
W-O O W-G BL W-BL G W-BR BR
JACK POSITION



Application

- CATV System
- Antenna of Television
- Video Cassette Recorders
- FM receivers
- Video Cameras and monitors
- Multiplexers and Quad Processor

Note

For ensuring the unit can protect equipments, the cable must be connected to ground.

Specification

ITEM NO.	SP001VP
Support	
Compliance	
Response Time	Less than 1ns
Max. Surge Voltage	4 KV
Surge Life	300 Times/ 100A Surge
Normal Resistance Across Coax	10,000 MΩ
Band Pass	0 to 1 GHz
Power Passing Capability	DC / AC 130V, 65 Vrms@10 A
Insertion Loss	Less than 0.2dB
Return Loss (75Ω)	16dB
Max. Power Input	AC 40V, DC56V
Ports & Interfaces	
Equipment End	1 x BNC Female, 1 x 2-pin Terminal Block
Cable End	1 x BNC Female, 1 x 3-pin Terminal Block
Ambient Temperature	
Operation	-10 to 85°C
Storage	-40 to 105°C
Humidity	95%
Physical Characteristics	
Dimensions	67 x 87 x 27mm
Weight	145g